

MINI300 Datasheet

COMPACT & LOW-FLOW PRESSURE REGULATOR



Gas
 Liquid
 Diaphragm
 Piston
 Self-Venting
 Non-Venting
 Max Inlet: 300 bar (4,350 psi)
 Max Outlet: 100 bar (1,450 psi)
 Cv 0.06



INTRODUCING THE MINI300...

The MINI300 provides an economical, lightweight and versatile regulator range, designed for customers who want accurate control from a compact unit.

The MINI300 features fully supported 'sensitive' pistons with low pressure and high-pressure outlet options. There is also a choice of handwheel or thumbwheel adjustment.

SPECIFICATION

Max. Rated Inlet Pressure	300 bar (4,350 psi)
Outlet Ranges	Up to 100 bar (1,450 psi)
Design Proof Pressure	150% max. working pressure
Seat Leakage	In accordance with ANSI/FCI 70-3
Weight	0.5kg (1.1lbs)

Note: Pressure regulator rating may be limited by connection type, Cv and/or seat material. Contact the office for specific pressure requirements.

STANDARD MATERIALS OF CONSTRUCTION

PART	MATERIALS
Body and Bonnet	ASTM A479 316/316L Stainless Steel (UNS S31600/S31603) <i>Approx. Temperatures: -196°C to 538°C</i>
Main Valve Pin	ASTM A479 316/316L Stainless Steel
Soft Seat	PEEK™ (450G) <i>Approx. Temperatures: -50°C to 204°C</i>
	PCTFE (Kel-F) <i>Approx. Temperatures: -196°C to 180°C</i>
Valve Spring	Inconel® X750 (UNS N07750) <i>Approx. Temperatures: -196°C to 700°C</i>
Piston	ASTM A479 316/316L Stainless Steel
Handwheel	Nylon
O-Rings	FKM/FPM (Viton) <i>Approx. Temperatures: -20°C to 200°C</i>
Loading Spring	ASTM A240 301 Stainless Steel (UNS S30100) <i>Approx. Temperatures: -29°C to 370°C</i>
Filter	40 Microns

For the full list of material temperature ranges, please visit www.pressure-tech.com.

Note: Temperature details are provided as nominal values for guidance purposes only. No warranty is made, expressed or implied. Contact the office for specific temperature requirements.

FEATURES AND BENEFITS

1 PISTON SENSING ELEMENT

Perfect for use in challenging conditions.

2 OPTIONAL ADJUSTMENT METHODS

Handwheel or thumbwheel adjustment available.

3 COMPACT DESIGN

Perfect for when installation space is restricted.

4 316SS THREADED BONNET

For panel mounting option as standard.

Product availability and specifications contained herein are subject to change without notice. Consult local distributor or factory for potential revisions and/or service related issues. Pressure Tech Ltd support with product selection recommendations only - it is the users responsibility to ensure the product is suitable for their specific application requirements.



PRESSURE TECH LTD
 Unit 24, Graphite Way, Hadfield, Glossop, Derbyshire, UK, SK13 1QH
 T +44 (0)1457 899 307
 E sales@pressure-tech.com
 W www.pressure-tech.com

DESIGNED, MANUFACTURED AND BUILT IN THE UK

200721

PAGE:
1 OF 4

MINI300 Datasheet

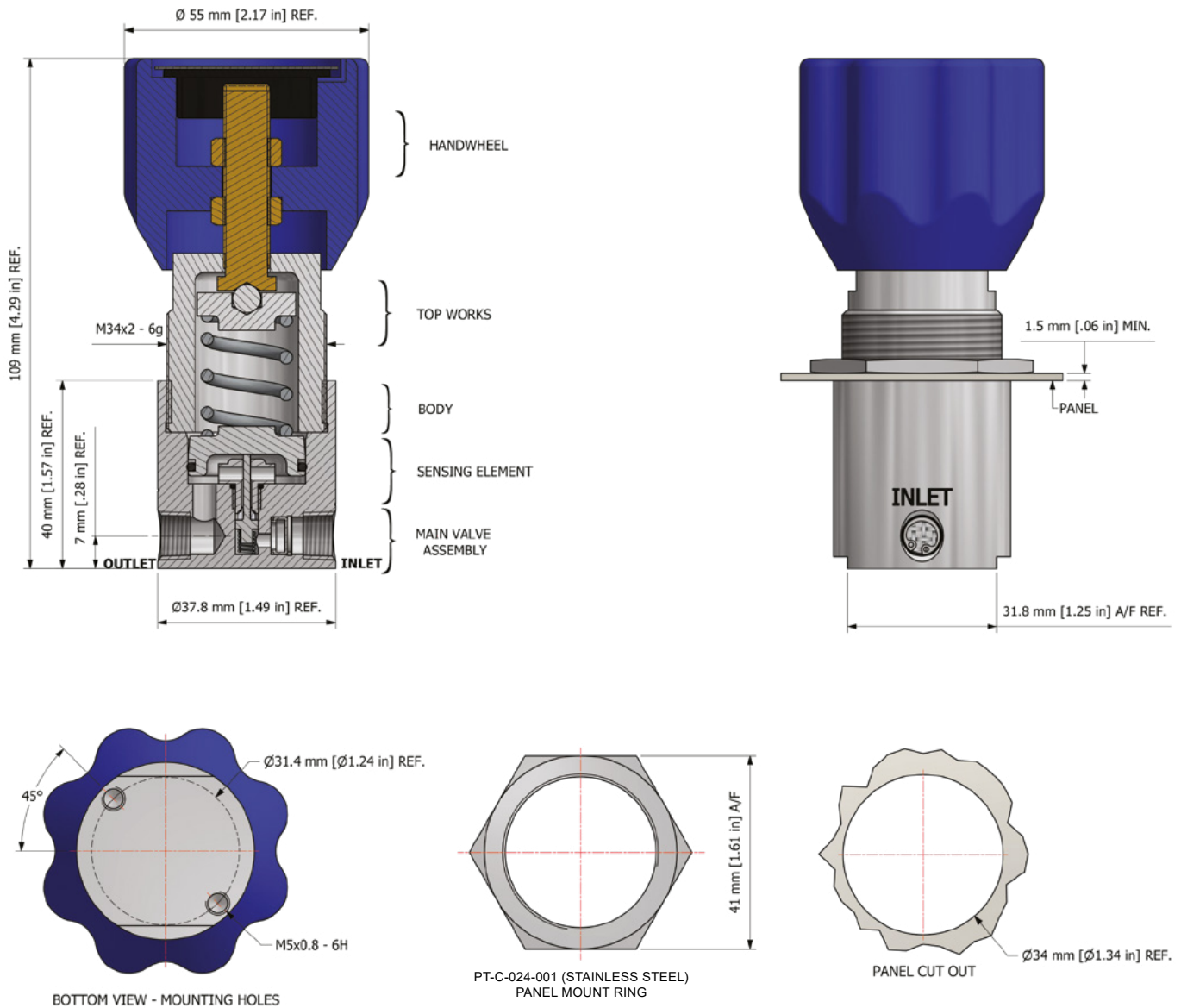
COMPACT & LOW-FLOW PRESSURE REGULATOR



Gas
 Liquid
 Diaphragm
 Piston
 Self-Venting
 Non-Venting
 Max Inlet: 300 bar (4,350 psi)
 Max Outlet: 100 bar (1,450 psi)
 Cv 0.06

DRAWINGS AND INSTALLATION DIMENSIONS

Dimensions shown for 1/8" NPT option - please contact the office for additional connections options.



Note:

All gauge ports are 1/8" NPT as standard
 Position of mounting holes may vary depending on configuration

Product availability and specifications contained herein are subject to change without notice. Consult local distributor or factory for potential revisions and/or service related issues.
 Pressure Tech Ltd support with product selection recommendations only - it is the users responsibility to ensure the product is suitable for their specific application requirements.



PRESSURE TECH LTD
 Unit 24, Graphite Way, Hadfield, Glossop, Derbyshire, UK, SK13 1QH
 T +44 (0)1457 899 307
 E sales@pressure-tech.com
 W www.pressure-tech.com

DESIGNED, MANUFACTURED AND BUILT IN THE UK

200721

PAGE:
2 OF 4

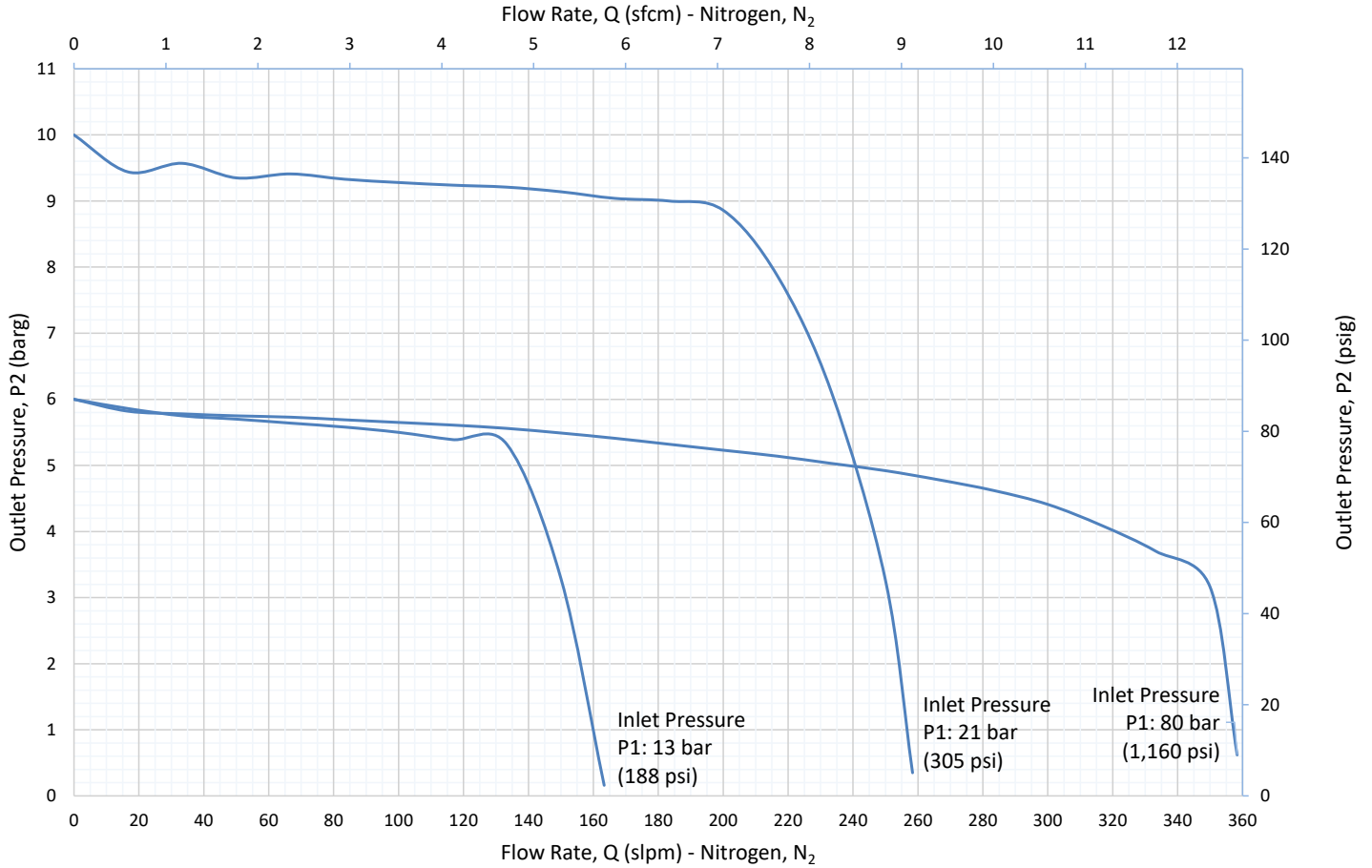
MINI300 Datasheet

COMPACT & LOW-FLOW PRESSURE REGULATOR

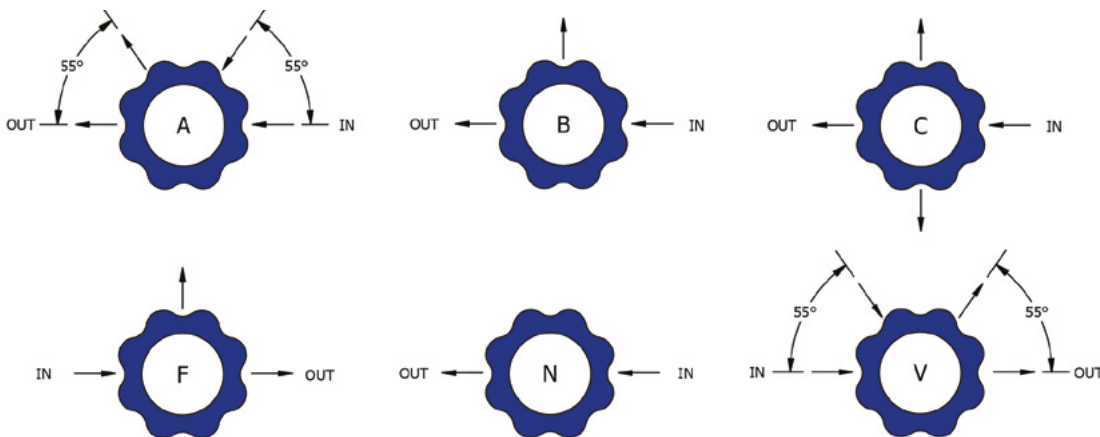


Gas Liquid | Diaphragm Piston | Self-Venting Non-Venting | Max Inlet: 300 bar (4,350 psi) | Max Outlet: 100 bar (1,450 psi) | Cv 0.06

FLOW CURVE



PORTING CONFIGURATIONS



Note:

Additional porting configurations are available - please contact the office for further information.

Product availability and specifications contained herein are subject to change without notice. Consult local distributor or factory for potential revisions and/or service related issues. Pressure Tech Ltd support with product selection recommendations only - it is the users responsibility to ensure the product is suitable for their specific application requirements.



PRESSURE TECH LTD
 Unit 24, Graphite Way, Hadfield, Glossop, Derbyshire, UK, SK13 1QH
 T +44 (0)1457 899 307
 E sales@pressure-tech.com
 W www.pressure-tech.com

DESIGNED, MANUFACTURED AND BUILT IN THE UK

200721

PAGE:
3 OF 4

MINI300 Datasheet

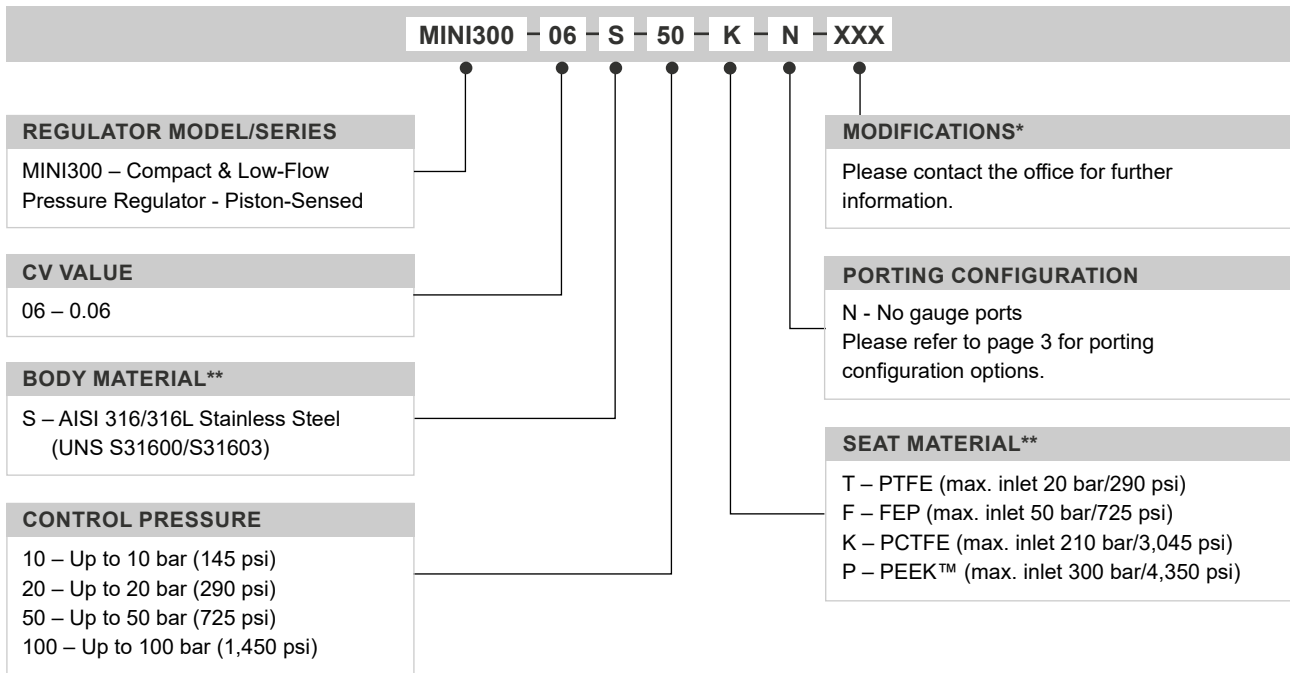
COMPACT & LOW-FLOW PRESSURE REGULATOR



Gas
 Liquid
 Diaphragm
 Piston
 Self-Venting
 Non-Venting
 Max Inlet: 300 bar (4,350 psi)
 Max Outlet: 100 bar (1,450 psi)
 Cv 0.06

ORDERING INFORMATION

To build a Pressure Tech part number, simply combine the characters identified below in sequence:



OPTIONAL EXTRAS		
	PART NUMBER	DESCRIPTION
Service Kit	SRK-MINI300...	Various options available
Panel Mounting Ring	PT-C-024-001	-

Note:
Ancillary equipment also available

TRADEMARKS: PEEK™ is a trademark of Victrex PLC
Inconel® is a registered trademark of Inco Alloys International

* Where applicable
** Other connections/materials may be available - please contact the office

Product availability and specifications contained herein are subject to change without notice. Consult local distributor or factory for potential revisions and/or service related issues.
Pressure Tech Ltd support with product selection recommendations only - it is the users responsibility to ensure the product is suitable for their specific application requirements.



PRESSURE TECH LTD
Unit 24, Graphite Way, Hadfield, Glossop, Derbyshire, UK, SK13 1QH
T +44 (0)1457 899 307
E sales@pressure-tech.com
W www.pressure-tech.com

DESIGNED, MANUFACTURED AND BUILT IN THE UK

200721

PAGE:
4 OF 4